

# Modulated Wideband Power Amplifier

## 1 Introduction

Tekbox provides a complete solution for affordable pre-compliance conducted immunity testing: Coupling Decoupling Networks along with suitable calibration adapters and 150 Ohm to 50 Ohm transitions; BCI probes, suitable modulated wideband power amplifiers and EMCview PRO software. A third-party spectrum analyzer with tracking generator serves as signal source.

The TBMDA-BCI100 modulated amplifier provides the necessary bandwidth and modulation for conducted immunity testing using BCI probes per ISO 11452-4 in the frequency range from 1 MHz to 400 MHz. It is designed to be driven by signal generators or by tracking generators of spectrum analyzers. With a 1 dB compression point of up to 110 W in the frequency range 1 MHz to 400 MHz it can generate test levels up to Level IV with AM and Level IV with CW. A built in AM / PM - modulator enables use of tracking generators as signal source. The TBMDA-BCI100 has sufficient gain to achieve maximum output power with 0 dBm provided by a spectrum analyzer tracking generator. Besides 1 kHz, 80% AM, the TBMDA-BCI100 provides built in modulation capability to generate 1 kHz, 50% duty cycle PM signals. In PM mode, the TBMDA-BCI100 can also generate a 217 Hz Signal with 12.5% duty cycle in order to simulate mobile phone TDMA noise.



Picture 1 – TBMDA-BCI100 modulated wideband driver amplifier, front view



Picture 2 – TBMDA-BCI100 modulated wideband driver amplifier, rear view

# Modulated Wideband Power Amplifier

## **Application:**

General-purpose wideband RF power amplifier

Wideband RF power amplifier for conducted immunity testing driving BCI-probes

Wideband RF power amplifier for radiated immunity testing, driving near field probes

Wideband RF power amplifier for radiated immunity testing, driving TEM Cells

## **Features:**

CW amplifier (modulation off)

1 kHz, 80% AM modulation

1 kHz, 50% duty cycle pulse modulation

217 Hz, 12.5% duty cycle pulse modulation

VSWR monitoring

## **Dimensions:**

48.5 cm x 31 cm x 13.5 cm, 10.5 kg

## 2 Electrical Specifications

### **Technical Data:**

Input / Output: 50 Ohm, N female

Supply Voltage range: 100 ~ 120 VAC or 200 ~ 240 VAC – 50/60Hz

Supply power consumption: 350 W @ 220V

Operating temperature range: -20°C to 50°C

Frequency range: 1 MHz – 400 MHz

Small signal gain: 52 dB typ.

Gain flatness 1 MHz – 400 MHz / Pin = -3 dBm: 1.5 dB typ.

Maximum output power @ 1 MHz / Pin = 0 dBm: 50.7 dBm (117.5 W) typ.

Maximum output power @ 10 MHz / Pin = 0 dBm: 50.7 dBm (117.5 W) typ.

Maximum output power @ 50 MHz / Pin = 0 dBm: 50.8 dBm (120.2 W) typ.

Maximum output power @ 100 MHz / Pin = 0 dBm: 50.7dBm (117.5 W) typ.

Maximum output power @ 150 MHz / Pin = 0 dBm: 50.8 dBm (120.2 W) typ.

Maximum output power @ 200 MHz / Pin = 0 dBm: 50.5 dBm (112.2 W) typ.

Maximum output power @ 250 MHz / Pin = 0 dBm: 50.5 dBm (112.2 W) typ.

Maximum output power @ 300 MHz / Pin = 0 dBm: 50.6 dBm (114.8 W) typ.

Maximum output power @ 350 MHz / Pin = 0 dBm: 50.6 dBm (114.8 W) typ.

Maximum output power @ 400 MHz / Pin = 0 dBm: 49.5 dBm (89.1 W) typ.

## Modulated Wideband Power Amplifier

1dB output compression point @ 1 MHz: 50.5 dBm typ. (Pin: -1 dBm)  
1dB output compression point @ 10 MHz: 50.5 dBm typ. (Pin: -1 dBm)  
1dB output compression point @ 50 MHz: 50.8 dBm typ. (Pin: 0 dBm)  
1dB output compression point @ 100 MHz: 50.7 dBm typ. (Pin: 0 dBm)  
1dB output compression point @ 150 MHz: 50.5 dBm typ. (Pin: -1 dBm)  
1dB output compression point @ 200 MHz: 49.8 dBm typ. (Pin: -2 dBm)  
1dB output compression point @ 250 MHz: 49.8 dBm typ. (Pin: -2 dBm)  
1dB output compression point @ 300 MHz: 49.7 dBm typ. (Pin: -2 dBm)  
1dB output compression point @ 350 MHz: 49.8 dBm typ. (Pin: -2 dBm)  
1dB output compression point @ 400 MHz: 48.6 dBm typ. (Pin: -4 dBm)

2<sup>nd</sup> harmonic, 100 MHz, Pout = 44.0 dBm: < - 20.2 dBc typ.

2<sup>nd</sup> harmonic, 100 MHz, Pout = 50.0 dBm: < - 16.3 dBc typ.

3<sup>rd</sup> harmonic, 100 MHz, Pout = 44.0 dBm: < - 12.2 dBc typ.

3<sup>rd</sup> harmonic, 100 MHz, Pout = 50 dBm: < - 11.9 dBc typ.

Total harmonic distortion:

27.9% @100MHz, Pout = 44.0 dBm typ.

29.7% @100 MHz, Pout = 47.0 dBm typ.

31.9% @100 MHz, Pout = 50.0 dBm typ.

Third order output intercept point: 48 dBm@100 MHz,  $\Delta f = 2\text{MHz}$ , typ.

Internal modulation frequency AM: 1 kHz  $\pm 20\%$

Internal modulation frequencies PM: 1 kHz  $\pm 20\%$ , 217 Hz  $\pm 20\%$

Duty cycle, PM: 50%  $\pm 10\%$  @ 1 kHz; 12.5%  $\pm 20\%$  @ 217 Hz

### Maximum ratings:

Maximum input power: +0 dBm

The output of the TBMDA-BCI100 is quite tolerant to output mismatch, however open or shorted load is not recommended, as it potentially can cause damage to the output transistor. When driving near field probes, current probes or any load of unknown impedance, it is highly recommended to insert a  $\geq 3\text{dB}$  attenuator at the output of the amplifier in order to protect the output stage.

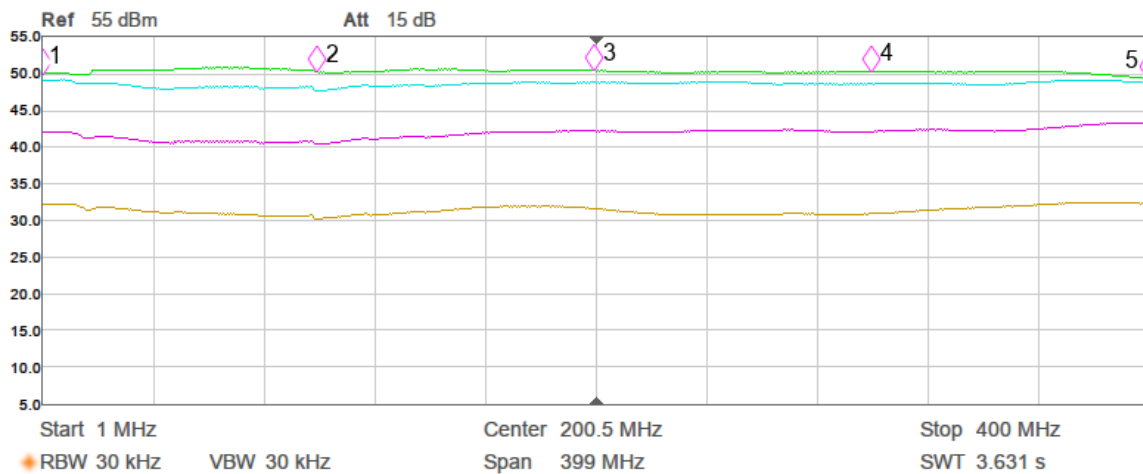
## Modulated Wideband Power Amplifier

### Protection Function:

TBMDA-BCI100 has a protection feature, monitoring forward and reflected power. With power below 47dbm (50W), the TBMDA-BCI100 can withstand short-circuit or open-circuit loads, i.e., any VSWR. However, when the output power exceeds 47dbm, if the VSWR is too poor, the reflected power will be high, damaging the amplifier. Therefore, the higher the power, the smaller the allowable VSWR. The "Over VSWR" indicator light shows that the TBMDA-BCI100 is operating under undesirable conditions, with the VSWR exceeding the permissible threshold. At this time, the output power will be clamped to 47dbm. It is recommended to reduce the input power, or if possible improve matching before resuming use.

### Gain flatness:

Pout vs frequency **Yellow:** Pin = -20 dBm **Purple:** Pin = -10 dBm **Blue:** Pin = -3 dBm **Green:** Pin = +0 dBm



#### Marker Table

Marker	Type	Trace	Readout	X Axis	Ampt
1	Normal	D	Frequency	1 MHz	50.05 dBm
2	Normal	D	Frequency	100 MHz	50.30 dBm
3	Normal	D	Frequency	200 MHz	50.52 dBm
4	Normal	D	Frequency	300 MHz	50.37 dBm
5	Normal	D	Frequency	400 MHz	49.43 dBm

### Small Signal Performance (@ Pin = - 10 dBm):

Frequency [MHz]	1	10	50	100	150	200	250	300	350	400
Output power [dBm]	42.5	42.6	41.5	41.3	42.2	42.7	42.8	42.4	42.6	43.7
Gain [dB]	52.5	52.6	51.5	51.3	52.2	52.7	52.8	52.4	52.6	53.7

Table 1 – TBMDA-BCI100 small signal gain, typ.

### 1 dB compression point:

Frequency [MHz]	1	10	50	100	150	200	250	300	350	400
Output power [dBm]	50.5	50.5	50.8	50.7	50.5	49.8	49.8	49.7	49.8	48.6
Input power [dBm]	-1	-1	0	0	-1	-2	-2	-2	-2	-4

# Modulated Wideband Power Amplifier

Table 2 – TBMDA-BCI100, 1 dB compression point versus frequency, typ.

Maximum (@ Pin = 0 dBm):

Frequency [MHz]	1	10	50	100	150	200	250	300	350	400
Output power [dBm]	50.7	50.7	50.8	50.7	50.8	50.5	50.5	50.6	50.6	49.5
Gain [dB]	50.7	50.7	50.8	50.7	50.8	50.5	50.5	50.6	50.6	49.5

Table 3 – TBMDA-BCI100, Saturation versus frequency, typ.

## Modulation:

Zero span, 10 ms sweep time, peak detector

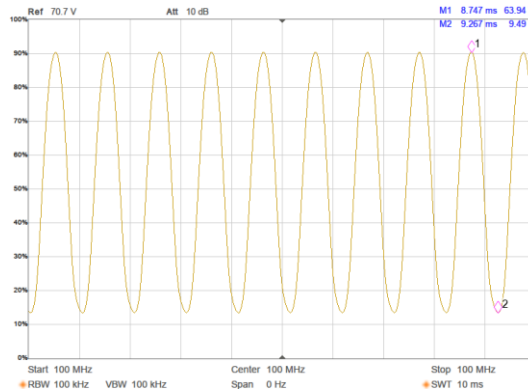


Figure 1 – 1 kHz, 80 % AM, envelope, 100 MHz, Pout = 50 dBm peak;

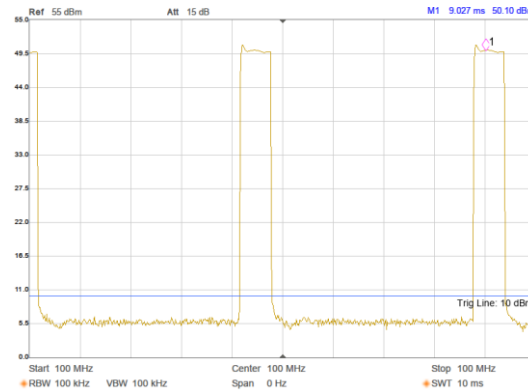
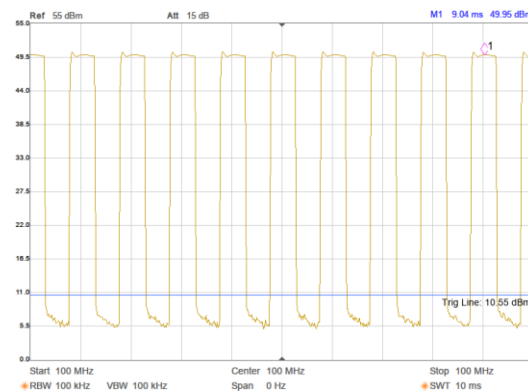


Figure 2 – 1 kHz, 50 % PM envelope, 100 MHz, Pout = 50 dBm peak



## Modulated Wideband Power Amplifier

Figure 3 – 217 Hz, 12.5 % PM envelope, 100 MHz, Pout = 50 dBm peak

### 3 Applications - radiated immunity

Immunity testing using a TEM cell

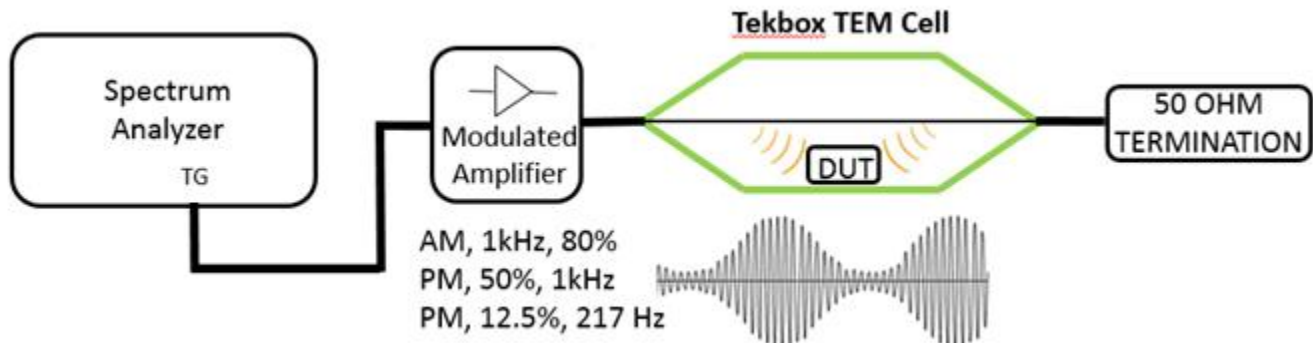


Figure 4 – immunity testing set up

Immunity testing using near field probes

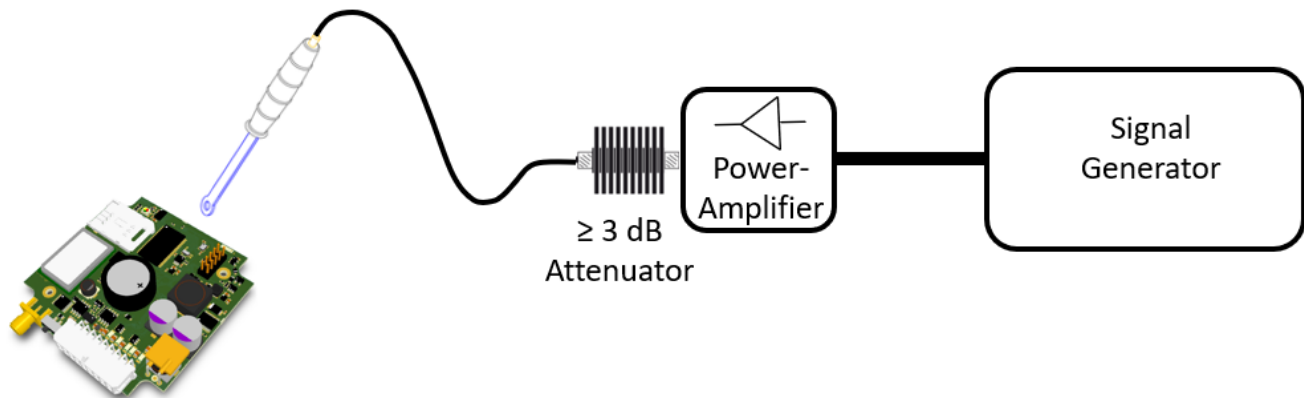


Figure 5 – immunity testing set up to locate susceptible areas on PCBAs

## Modulated Wideband Power Amplifier

Radiated immunity EMC pre-compliance is typically a 2-step procedure. First, a TEM cell is used to investigate for immunity issues of the DUT. In case of any failure, near-field probes will be used to locate the sensitive circuitry on the PCBA.

### TEM Cell field strength

A typical pre-compliance set up for radiated immunity testing is typically not equipped with an E-field probe to measure the real field strength inside the TEM cell. However, the field strength can be calculated with sufficient accuracy for EMC pre-compliance set-ups.

The E-field (V/m) between septum and lower (upper) wall of a TEM cell is  $E = V/d$  where V is the RMS voltage of the applied signal and d is the distance between septum and lower (upper) wall. This is based on the simplified assumption that the E field would be perfectly homogenous/evenly distributed. A more practical formula is  $E = V*Cor/d$  where Cor is a correction factor for the average field strength over the volume of the DUT derived from the analysis of the field distribution over the cross section of the cell.

Assuming the DUT is placed in the center of the cell and in the middle between bottom wall and septum, we can use the simplified formula with sufficient accuracy.

$$TBTC0: d = 2.8 \text{ cm} \rightarrow E_{[V/m]} = (\sqrt{P*50\Omega}) * 35.7$$

$$TBTC1: d = 5 \text{ cm} \rightarrow E_{[V/m]} = (\sqrt{P*50\Omega}) * 20$$

$$TBTC2: d = 10 \text{ cm} \rightarrow E_{[V/m]} = (\sqrt{P*50\Omega}) * 10$$

$$TBTC3: d = 15 \text{ cm} \rightarrow E_{[V/m]} = (\sqrt{P*50\Omega}) * 6.66$$

The power P in the formulas above has to be entered in [Watt]

$$P_{[W]} = 0.001 * (10^{(P_{[dBm]}/10)})$$

Frequency [MHz]	Input power [dBm]	Output power [dBm]	Field strength TBTC0 [V/m]	Field strength TBTC1 [V/m]	Field strength TBTC2 [V/m]	Field strength TBTC3 [V/m]
1	-1	50.5	2673.9	1498.0	749.0	498.8
10	-1	50.5	2673.9	1498.0	749.0	498.8
50	-1	50.1	2553.6	1430.6	715.3	476.4
100	-1	50.1	2553.6	1430.6	715.3	476.4
150	-1	50.4	2643.3	1480.9	740.4	493.1
200	-1	50.2	2583.2	1447.2	723.6	481.9
250	-1	50.2	2583.2	1447.2	723.6	481.9
300	-1	50.1	2553.6	1430.6	715.3	476.4
350	-1	50.3	2613.1	1463.9	732.0	487.5
400	-1	49.3	2328.9	1304.7	652.4	434.5

Table 4 – calculated field strength for the TBMDA-BCI100 driving Tekbox TEM cells

The above output power is the RMS output power in case of a CW signal. Note that in case of 80% AM modulation, the RMS power of the modulated signal will be 5.1 dB lower than the RMS power of the CW signal.

# Modulated Wideband Power Amplifier

# Modulated Wideband Power Amplifier

## 4 Applications - conducted immunity, using BCI probes

### ISO 11452-4 substitution method using EMCview PRO

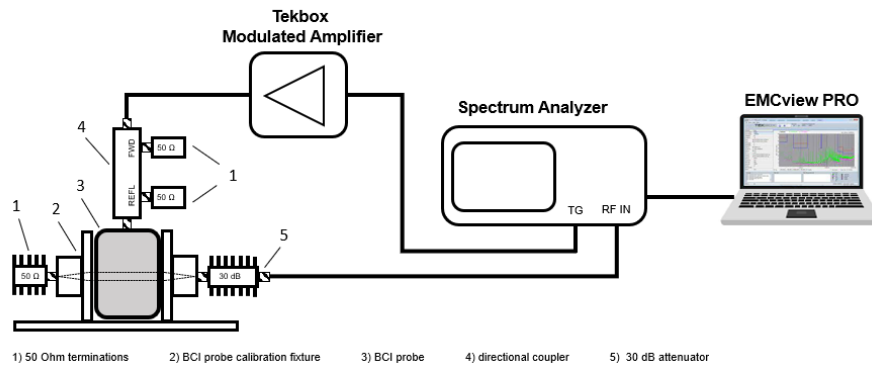
The automotive immunity standard ISO 11452-4 as well as immunity standards for defense and avionic products specify stress levels in terms of induced disturbance current.

Traditional calibration and test methods use current monitoring probes in order to create a control loop, thereby maintaining the required disturbance current. Levelling loops can be fooled by cable resonances. High impedance resonances cause the RF amplifiers output power to raise, in order to achieve the specified disturbance current. Similarly, low impedance resonances may significantly reduce the RF amplifiers output power. This situation is unrealistic of most real-life electromagnetic environments and could create a severe over-test or under-test situation.

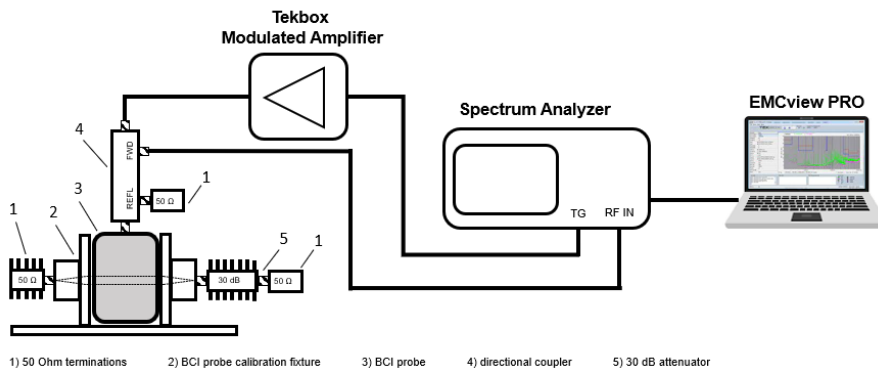
In order to get around the over-test / under-test problems associated with the closed loop test method, the standards offer the substitution method (open loop), where the disturbance current is set by measuring current induced into a 100 Ohm loop. Forward and reflected power is measured using a directional coupler while setting the RF power to achieve the required disturbance current levels into the 50 Ohm load. During actual immunity test, the forward power level is set according to the value recorded during calibration.

Substitution calibration method set up for pre-compliance purpose:

Substitution method, calibration, step 1



Substitution method, calibration, step 2



## Modulated Wideband Power Amplifier

Example: Test level I – 60 mA

A power of 22.6 dBm is required to achieve a current of 60 mA in a 50 Ohm load.

Assume 8dB insertion loss for a typical BCI probe in a 100 Ohm loop.

Assume 1 dB insertion loss for the directional coupler

The required power at the output of the modulated amplifier is:

Test level [dBm] + BCI probe insertion loss + Directional coupler insertion loss + 5.1 dB (80% AM RMS)

22.6 dBm + 8 dB + 1 dB + 5.1 dB = 36,7 dBm = 4.7 W

Example: Test level IV – 200 mA

A power of 33 dBm is required to achieve a current of 200 mA in a 50 Ohm load.

Assume 8dB insertion loss for a typical BCI probe in a 100 Ohm loop.

Assume 1 dB insertion loss for the directional coupler

The required power at the output of the modulated amplifier is:

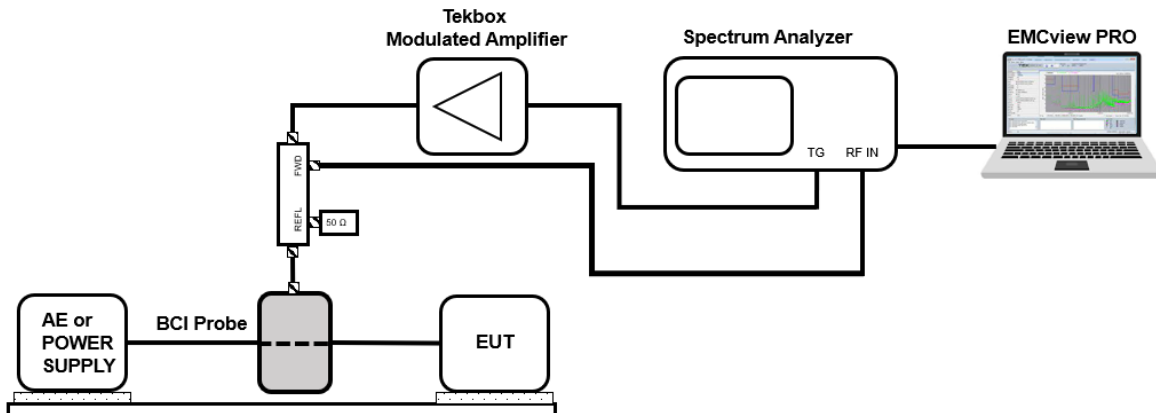
Test level [dBm] + BCI probe insertion loss + Directional coupler insertion loss + 5.1 dB (80% AM RMS)

33 dBm + 8 dB + 1 dB + 5.1 dB = 47.1 dBm = 51.3 W

Test levels and frequency range that can be achieved with the TBMDA-BCI100

Amplifier model	Modulation	Test levels	Freq. Range
TBMDA-BCI100	AM 80%, 1 kHz	Level I - Level IV	1 MHz - 400 MHz
	CW	Level I - Level IV	1 MHz - 400 MHz

### Substitution method, immunity test



Set up the test equipment and DUT as shown above. In EMCview PRO, load the file created during calibration and press the Play-button to run the immunity test.

# Modulated Wideband Power Amplifier

## ISO 11452-4 closed loop method using EMCview PRO

The Closed Loop Method controls the injected current by measuring the actual injected current using a current probe.

The injected current depends on the impedance of the EUT and cable and may not be achievable for any frequency, especially if ungrounded EUTs are used. At parallel resonances of the cable, the impedance will become very high and maintaining the set current level might exceed the capabilities of the RF power amplifier. This is a common issue associated with the closed loop method.

The currently available modulated amplifiers from Tekbox do not provide sufficient power, except perhaps for Level I. Typically, amplifiers with 100 – 250W output power are used for closed loop immunity tests.

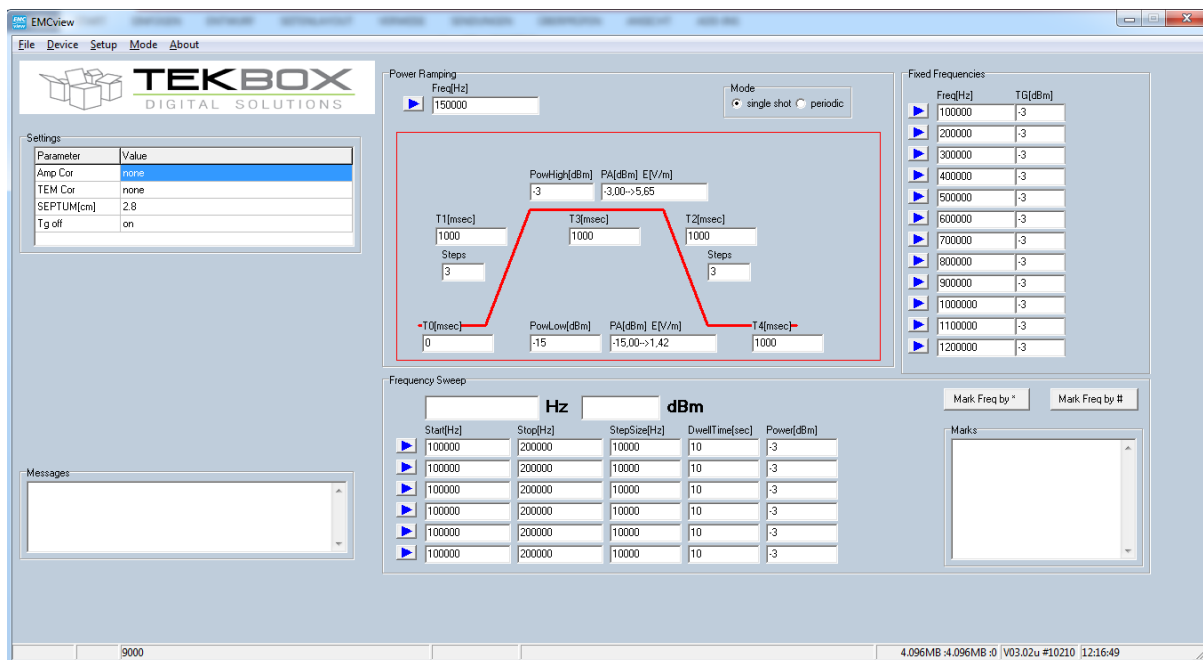
## 5 PC Software for immunity testing

Tekbox provides two software versions for EMC pre-compliance measurements

EMCview provides a feature to control the tracking generator output frequency and level and carry out sweeps with constant tracking generator level.

EMCview PRO provides a more sophisticated feature, which is able to carry out calibration sweeps for CDN and BCI based set ups. The resulting calibration file is used to set the tracking generator level during the immunity test sweep.

Tekbox EMCview currently supports Rigol, Siglent, Owon, R&S FPC and FPH series spectrum analyzers. Refer to the EMCview website for the latest list of supported models



screenshot of the tracking generator control feature of EMCview / EMCview Pro

# Modulated Wideband Power Amplifier

**Immunity Test Setup Calibration**

Parameter	Value
Freq Start[Hz]	150000
Freq Stop[Hz]	80000000
Freq Step[%]	10
Calibration Level [dBm]	-7.45

Calibrate    Abort Calibration    Save Calibration File

**Immunity Measurement EN 61000-4-6 CDN**

Parameter	Value
Calibration	none
Freq Start Sweep[Hz]	150000
Freq Stop Sweep[Hz]	80000000
Freq Step Sweep[%]	1
Dwell Time Sweep[s]	1
Constant Frequency[Hz]	150000
Mode	sweep

TG ON during pause

Freq:

Messages

Clear  
Save

TG:

**Calibration Setup Calculator**

EN 61000-4-6 CDN    EN 61000-4-6 BCI    ISO 11452-4 SM    ISO 11452-4 CL

Level 3

Required RF power[dBm][W]    38.55 dBm = 7.16 W

Calibration Level[dBm]    -7.45

screenshot of the CDN immunity test feature of EMCview Pro

**Immunity Test Setup Calibration**

Parameter	Value
Freq Start[Hz]	150000
Freq Stop[Hz]	80000000
Freq Step[%]	10
Calibration Level [dBm]	-17.91

Calibrate    Abort Calibration    Save Calibration File

**Immunity Measurement EN 61000-4-6 BCI**

Parameter	Value
Calibration	none
Freq Start Sweep[Hz]	150000
Freq Stop Sweep[Hz]	80000000
Freq Step Sweep[%]	1
Dwell Time Sweep[s]	1
Constant Frequency[Hz]	150000
Mode	sweep
Current Probe	none

TG ON during pause  
 Current monitoring

Freq:

Messages

Clear  
Save

TG:

**Calibration Setup Calculator**

EN 61000-4-6 CDN    EN 61000-4-6 BCI    ISO 11452-4 SM    ISO 11452-4 CL

Level 2

Required RF power[dBm][W]    35.09 dBm = 3.23 W

Calibration Level[dBm]    -17.91

screenshot of the EN 61000-4-6 BCI immunity test feature of EMCview Pro

# Modulated Wideband Power Amplifier

**Immunity Test Setup Calibration**

Parameter	Value
Freq Start[Hz]	1000000
Freq Stop[Hz]	400000000
Freq Step[%]	10
Calibration Level [dBm]	-7.45
VSWR Bridge	none

Calibrate    Abort Calibration    Save Calibration File

**Immunity Measurement ISO 11452-4 SM**

Parameter	Value
Calibration	none
Freq Start Sweep[Hz]	1000000
Freq Stop Sweep[Hz]	400000000
Freq Step Sweep[%]	1
Dwell Time Sweep[s]	1
Constant Frequency[Hz]	1000000
Mode	sweep

TG ON during pause

**Calibration Setup Calculator**

EN 61000-4-6 CDN | EN 61000-4-6 BCI | ISO 11452-4 SM | ISO 11452-4 CL

**Substitution method, calibration, step 1**

Level I

RMS [dBm]    Peak [dBm]

-7.45    -7.45

**Messages**

TG:

Clear    Save

screenshot of the ISO 11452-4 substitution method immunity test feature of EMCview Pro

**Immunity Measurement ISO 11452-4 CL**

Parameter	Value
Freq Start Sweep[Hz]	1000000
Freq Stop Sweep[Hz]	400000000
Freq Step Sweep[%]	1
Dwell Time Sweep[s]	1
Constant Frequency[Hz]	1000000
Mode	sweep
Level [mA]	60
Current Probe	none

TG ON during pause

**Calibration Setup Calculator**

EN 61000-4-6 CDN | EN 61000-4-6 BCI | ISO 11452-4 SM | ISO 11452-4 CL

**Closed Loop Method**

Level I

RMS [mA]    Peak [mA]

60    60

**Messages**

TG:

Clear    Save    Chart

screenshot of the ISO 11452-4 closed loop immunity test feature of EMCview Pro

## Modulated Wideband Power Amplifier

### WARNING:

**Never connect the output of the TBMDA-BCI100 directly to the input of a spectrum analyzer. Check the maximum input ratings of the spectrum analyzer and protect it with an appropriate attenuator.**

**Open or shorted load is not recommended, potentially can cause damage of the RF output stage. Use a  $\geq 3$  dB attenuator at the amplifier output, when driving loads with poor SWR.**

### Example:

**Rigol DSA815 – maximum input power rating: +20dBm**

## 6 Ordering Information

Part Number	Description
TBMDA-BCI100-EU	modulated power amplifier, 2 pcs 75cm N-male to N-male cables, 1 pc 6 dB attenuator, 1 pc 40dB / 250W attenuator with N-connectors, C13 Schuko power cord
TBMDA-BCI100-US	modulated power amplifier, 2 pcs 75cm N-male to N-male cables, 1 pc 6 dB attenuator, 1 pc 40dB / 250W attenuator with N-connectors, C13 US power cord
TBMDA-BCI100-UK	modulated power amplifier, 2 pcs 75cm N-male to N-male cables, 1 pc 6 dB attenuator, 1 pc 40dB / 250W attenuator with N-connectors, C13 English power cord
TBMDA-BCI100-AU	modulated power amplifier, 2 pcs 75cm N-male to N-male cables, 1 pc 6 dB attenuator, 1 pc 40dB / 250W attenuator with N-connectors, C13 Australian power cord

Table 5 – Ordering Information

## 7 History

Version	Date	Author	Changes
V1.0	27.01.2026	Mayerhofer	Creation of the document

Table 6 – History

www.tekbox.com

TekBox Digital Solutions Vietnam Pte. Ltd.

Factory 4, F5, Lot I-3B-1, Saigon Hi-Tech Park, Tan Phu Ward, District 9, Ho Chi Minh City, Vietnam