

## RF HOUSINGS

The TBRFH2 RF housing is ideal for accommodating passive RF building blocks operating up to 6 GHz. The housings consists of a chassis carrying a female and a male N-connector and a threaded cylinder. The housings are ideal for passive RF building blocks such as filters or attenuators. The housings come with an RF absorbing pad to suppress coupling and cavity resonance.



Picture 1: TBRFH2 RF housing components



Picture 2: TBRFH2, assembled RF housing



Picture 3: TBRFH2 RF housing application example – RF filter

### 1 Technical data

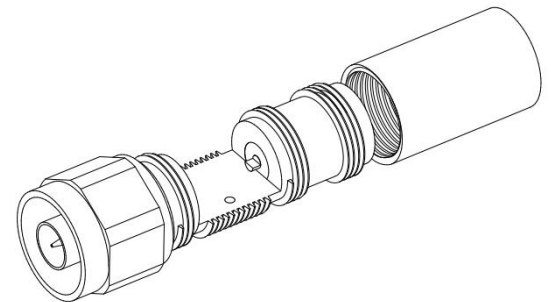
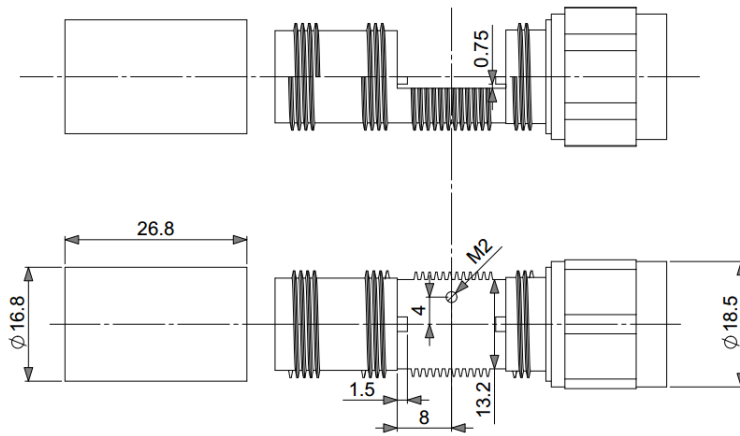
Diameter:	21 mm max.
Length:	58 mm
Weight:	61 g
Max. PCB dimension:	15,5 mm x 13 mm, max. 0,7 mm PCB thickness
Housing material:	brass, nickel plated
RF connectors:	N-Male, N-Female
RF absorbing foam:	carbon loaded, 1 GHz to 18 GHz, 15 mm x 12mm, 3.2 mm thickness

# RF HOUSINGS

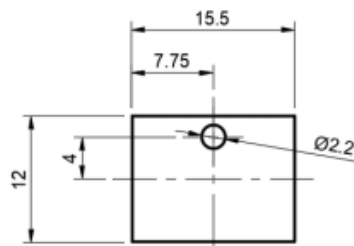
## 2 Parts list

RF chassis	1 pc
Threaded cylindrical tube	1 pc
RF absorber pad	1 pc
Screws, M2 x 4, stainless steel	1 pc

## 3 Mechanical drawings



\*Recommended PCB dimension  
(PCB thickness : 0.6mm)



Picture 4: Housing dimensions

## 4 Ordering Information

Part Number	Description
TBRFH2	Coaxial RF housing, N-Male / N-Female

Table 2 – Ordering Information

# RF HOUSINGS

## 5 History

Version	Date	Author	Changes
V 1.0	17.12.2019	Mayerhofer	Creation of the document
V 1.1	02.02.2023	Minh Nguyen	Update drawing (Add Recommended PCB dimension)