

TBS01/TBS05 EVALUATION BOARD

For PCB REV A

PAGE 01 - TITLE PAGE

PAGE 02 - BLOCK DIAGRAM

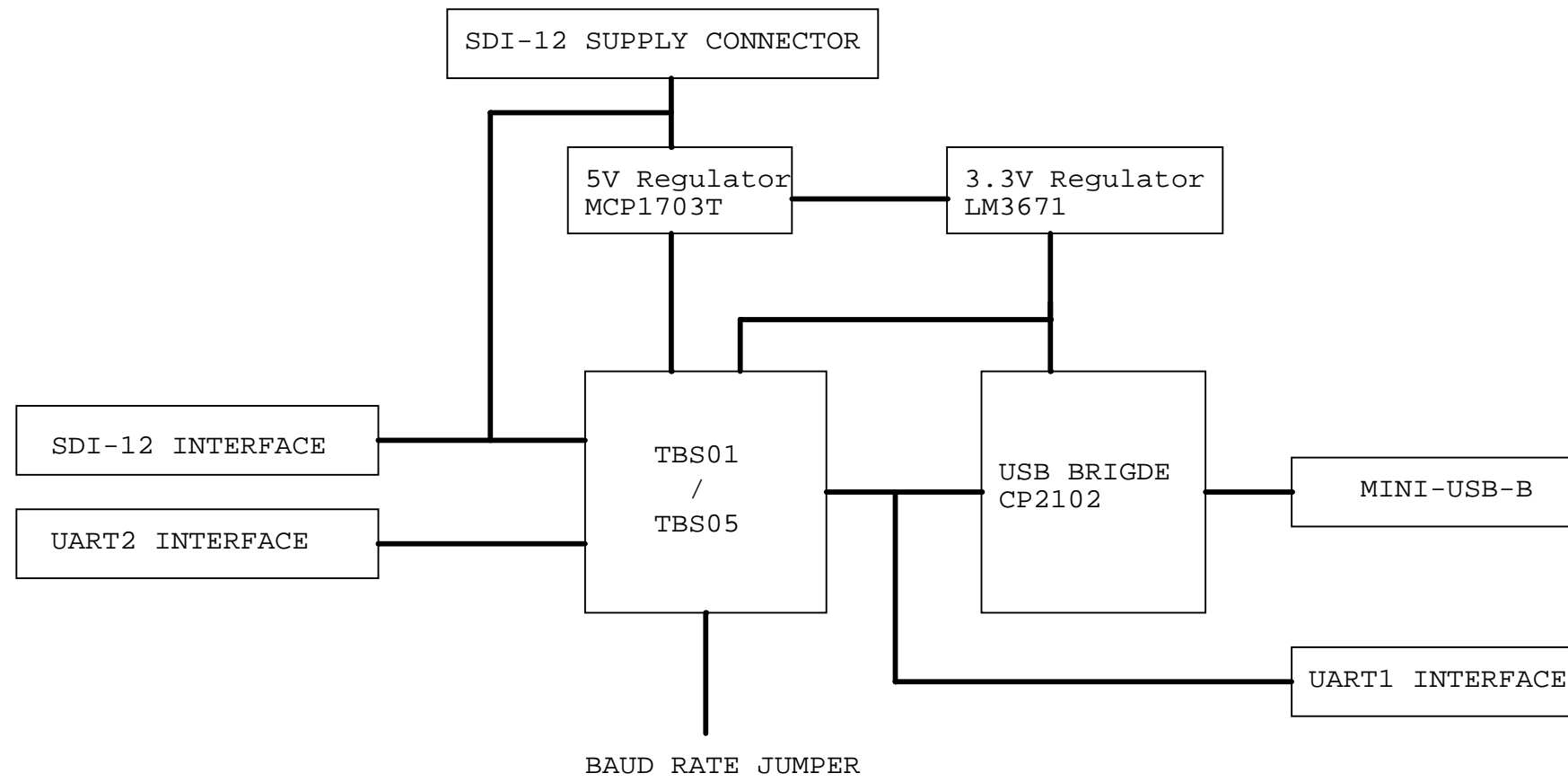
PAGE 03 - USB - UART BRIDGE

PAGE 04 - POWER SECTION

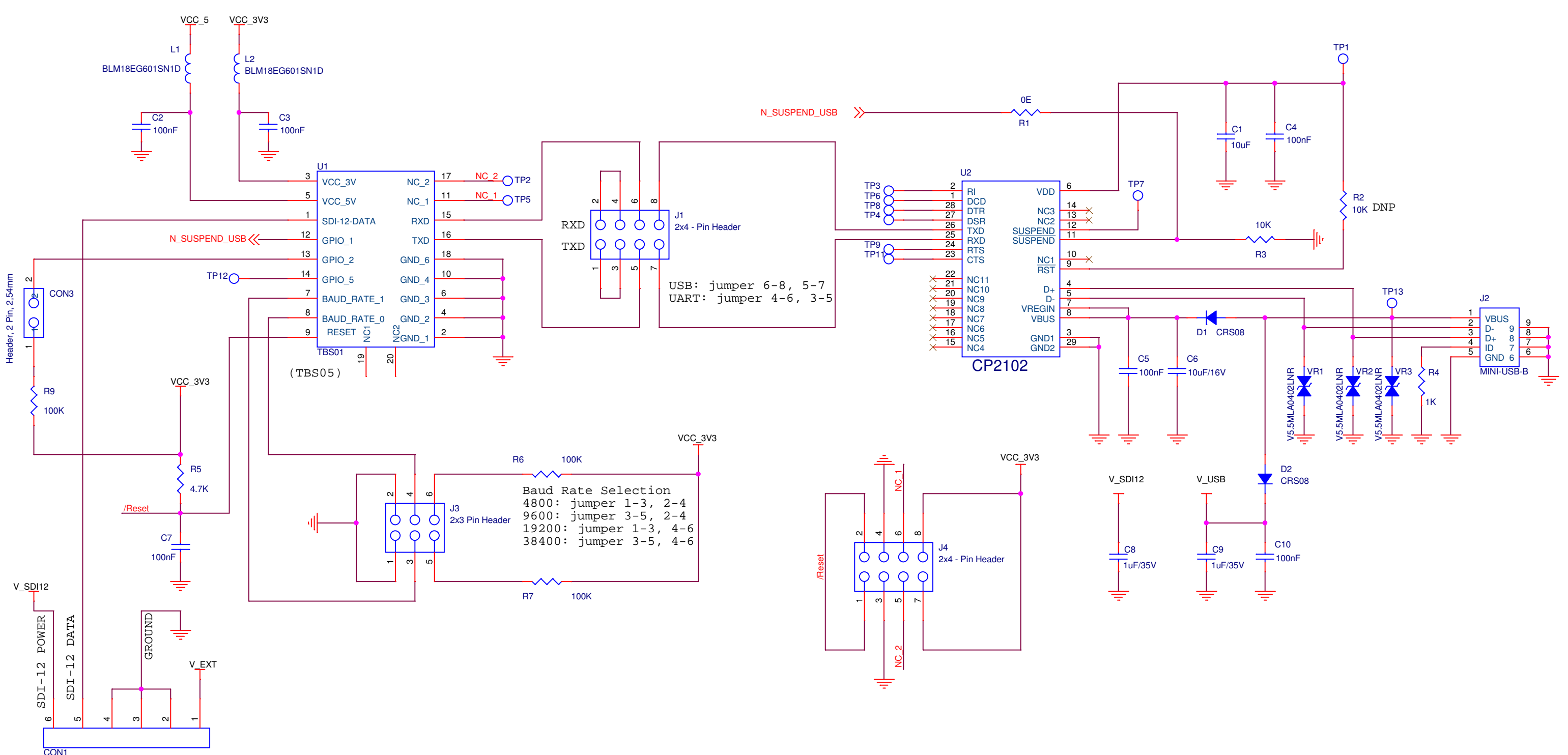
PAGE 05 - REVISION HISTORY

DRAWN BY Thang Le	DATED : 20100329	COMPANY : TEKBOX			
CHECKED BY Mayerhofer	DATED : 20100329	TITLE : TBS01 EVB TITLE PAGE			
QUALITY CONTROL :	DATED :	CODE <Cage Code>	Size A3	DWG NO	Rev 2.2
RELEASED :	DATED :	Scale : NONE	Wednesday, October 02, 2013	Sheet 1 of 5	

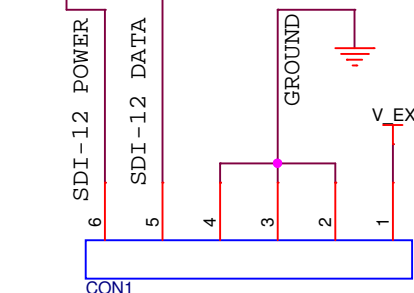
BLOCK DIAGRAM



DRAWN BY Thang Le	DATED : 20100329	COMPANY : TEKBOX			
CHECKED BY Mayerhofer	DATED : 20100329	TITLE : TBS01 EVB BLOCK DIAGRAM			
QUALITY CONTROL :	DATED :	CODE <Cage Code>	Size A3	DWG NO	Rev 2.2
RELEASED :	DATED :	Scale : NONE	Wednesday, October 02, 2013	Sheet 2 of 5	



Header, 2 Pin, 2.54mm



WEIDMULLER
SDI-12 INTERFACE

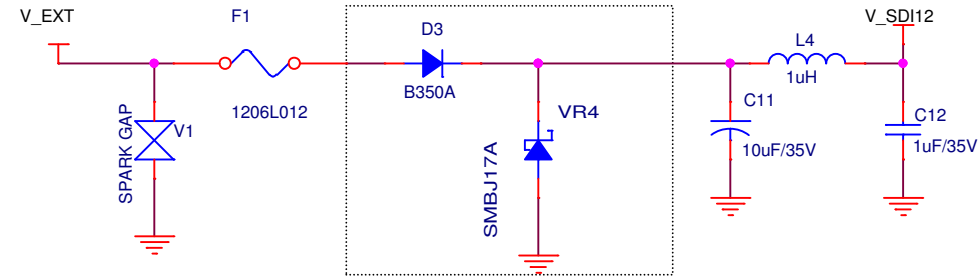
USB: jumper 6-8, 5-7
UART: jumper 4-6, 3-5

Baud Rate Selection
4800: jumper 1-3, 2-4
9600: jumper 3-5, 2-4
19200: jumper 1-3, 4-6
38400: jumper 3-5, 4-6

DRAWN BY Thang Le	DATED : 20100329	COMPANY : TEKBOX			
CHECKED BY Mayerhofer	DATED : 20100329	TITLE : TBS01 EVB USB INTERFACE			
QUALITY CONTROL :	DATED :	CODE <Cage Code>	Size A3	DWG NO	Rev 2.2
	RELEASED :	DATED :	Scale : NONE	Wednesday, October 02, 2013	Sheet 3 of 5

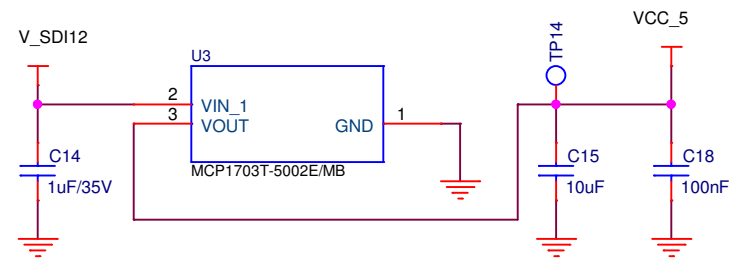
POWER SECTION

VOLTAGE INPUT FROM EXTERNAL: 12V

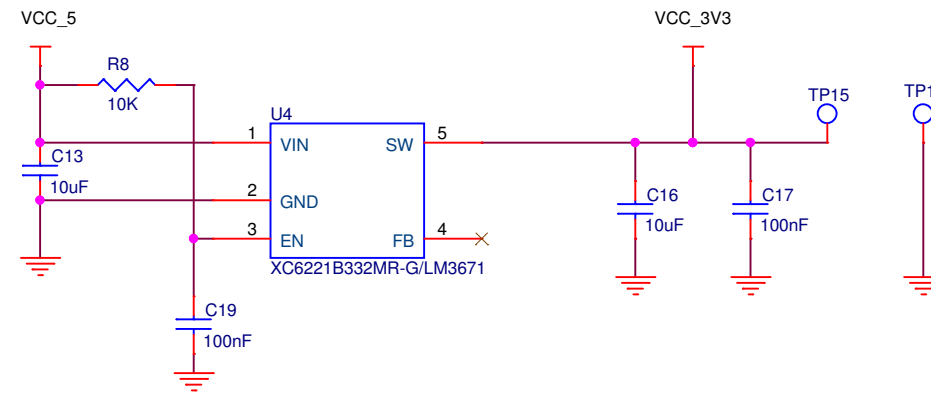


Reverse voltage & overvoltage protection

OUTPUT VOLTAGE 5V



OUTPUT VOLTAGE 3.3V



DRAWN BY Thang Le	DATED : 20100329	COMPANY : TEKBOX			
CHECKED BY Mayerhofer	DATED : 20100329	TITLE : TBS01 EVB POWER SECTION			
QUALITY CONTROL :	DATED :	CODE <Cage Code>	Size A3	DWG NO	Rev 2.2
RELEASED :	DATED :	Scale : NONE	Wednesday, October 02, 2013	Sheet 4 of 5	

REVISION	CHANGES	REASON	PAGE No	DATE
1.0	Creation of Schematic	creation	all	29.03.2010
2.0	added J1, J3, J4, D2, U3; modified U4; replaced Tantal and Aluminum capacitors by ceramic capacitors	improvement	all	03.08.2010
2.1	added TBS05 to text on title page	update	1	29.09.2010
2.2	removed L3	update	3	02.10.2013

DRAWN BY Thang Le	DATED : 20100329	COMPANY : TEKBOX			
CHECKED BY Mayerhofer	DATED : 20100329	TITLE : TBS01 EVB HISTORY			
QUALITY CONTROL :	DATED :	CODE <Cage Code>	Size A3	DWG NO	Rev 2.2
RELEASED :	DATED :	Scale : NONE	Wednesday, October 02, 2013	Sheet 5 of 5	