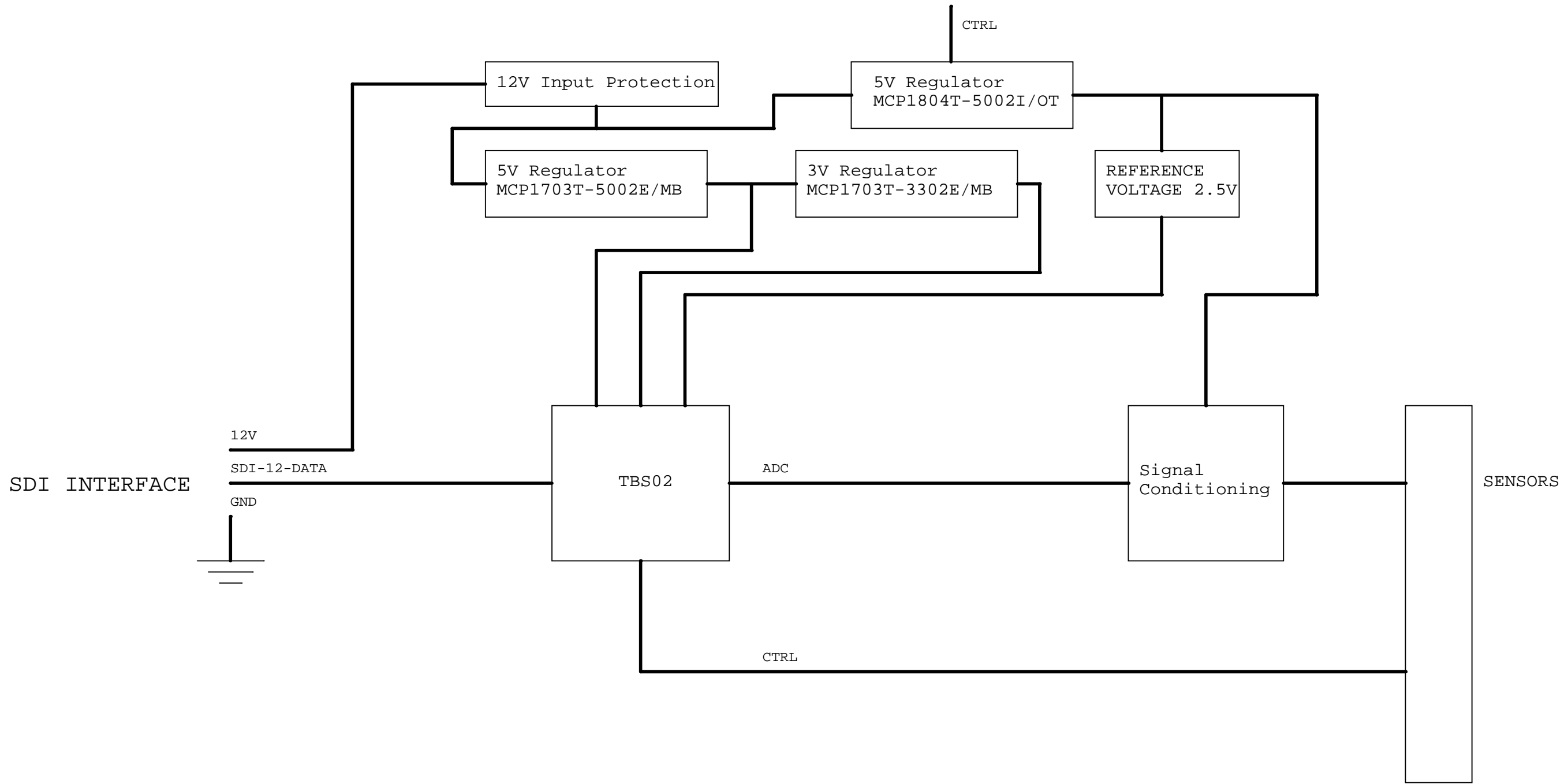
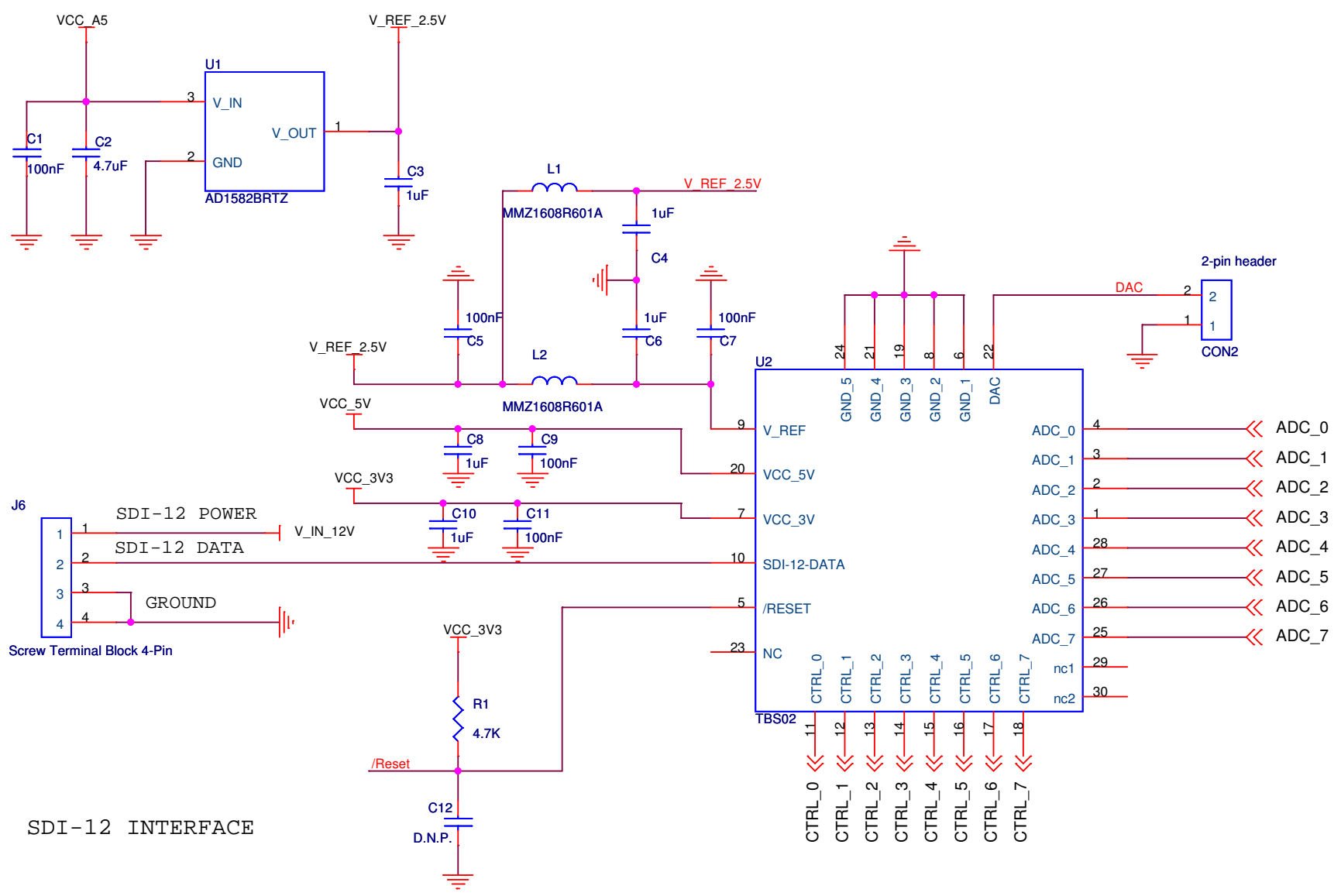


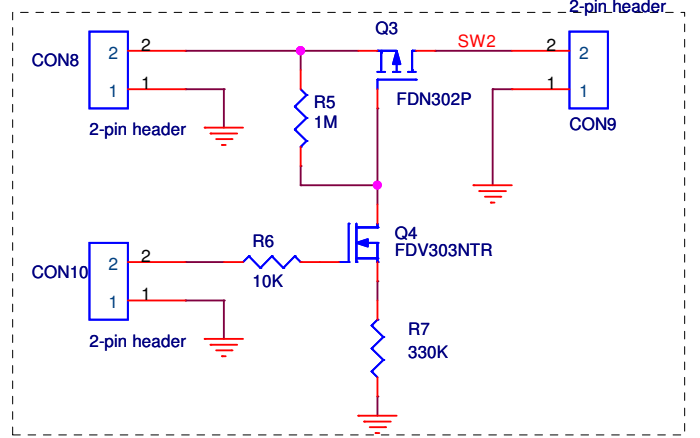
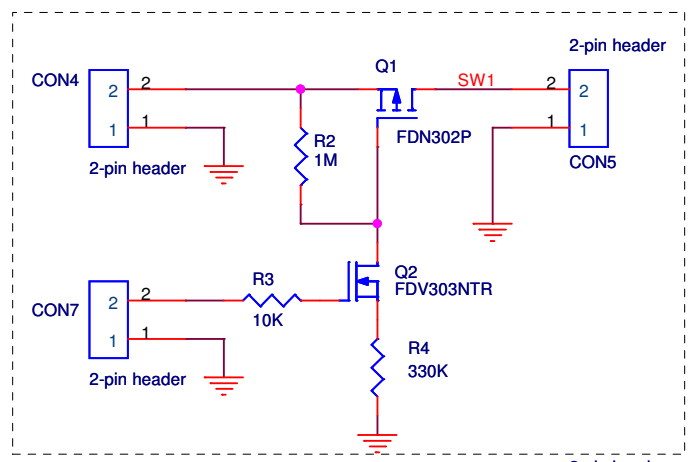
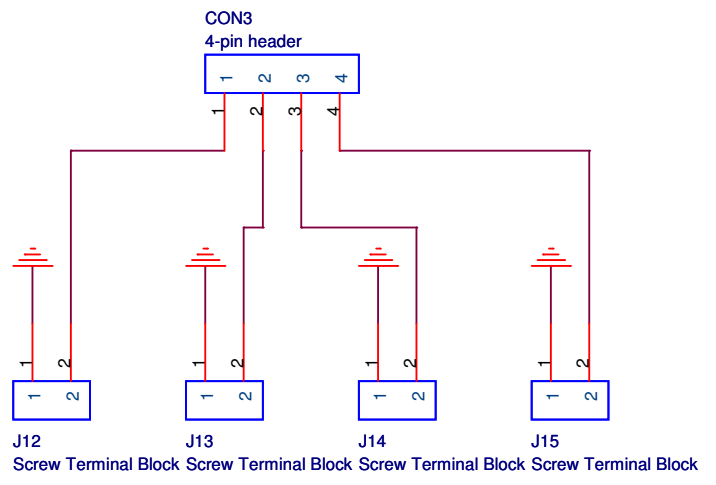
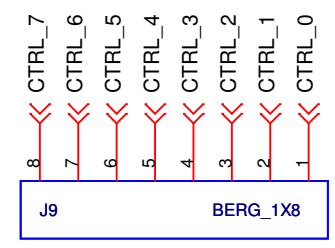
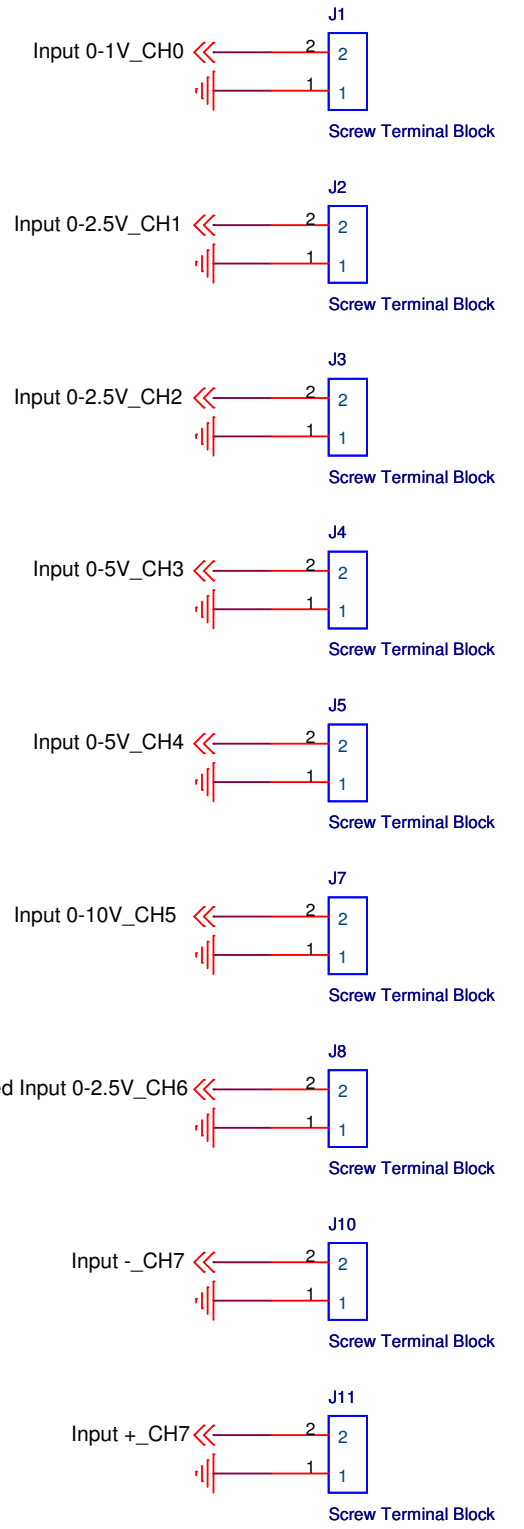
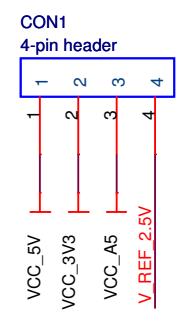
BLOCK DIAGRAM



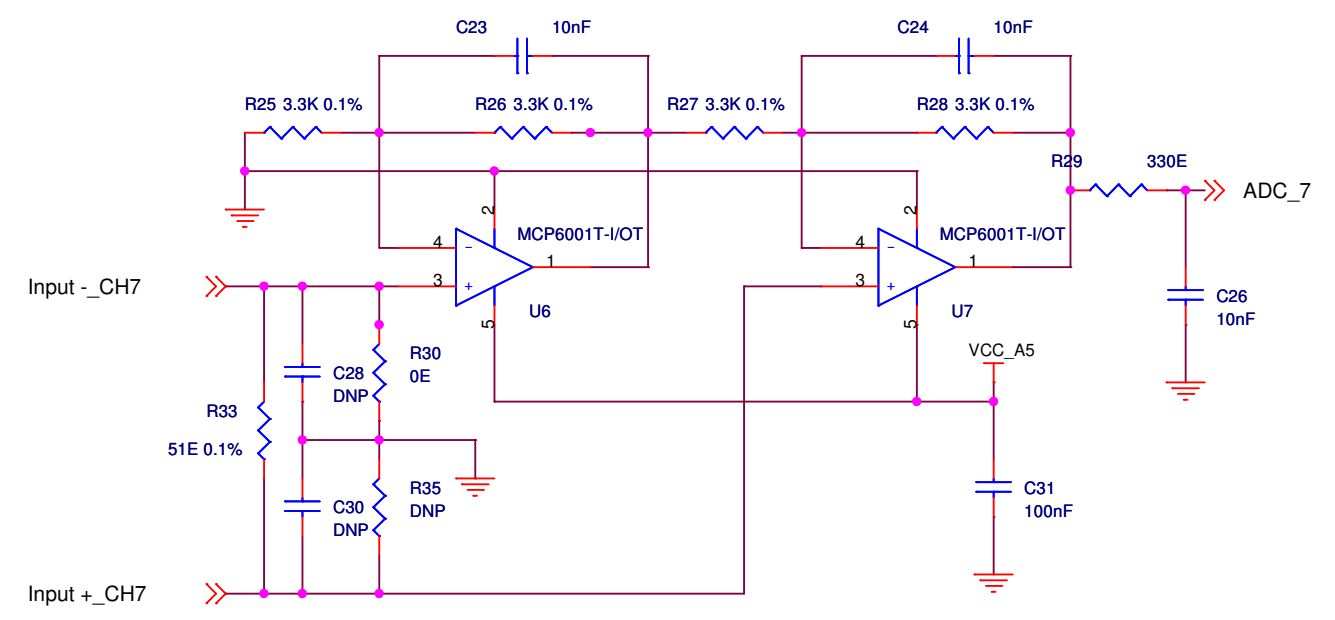
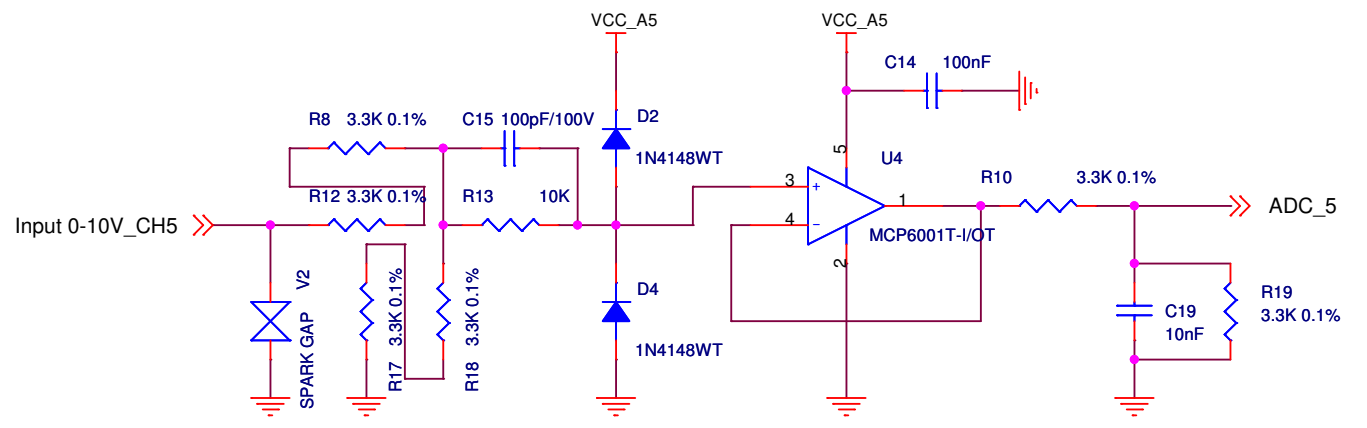
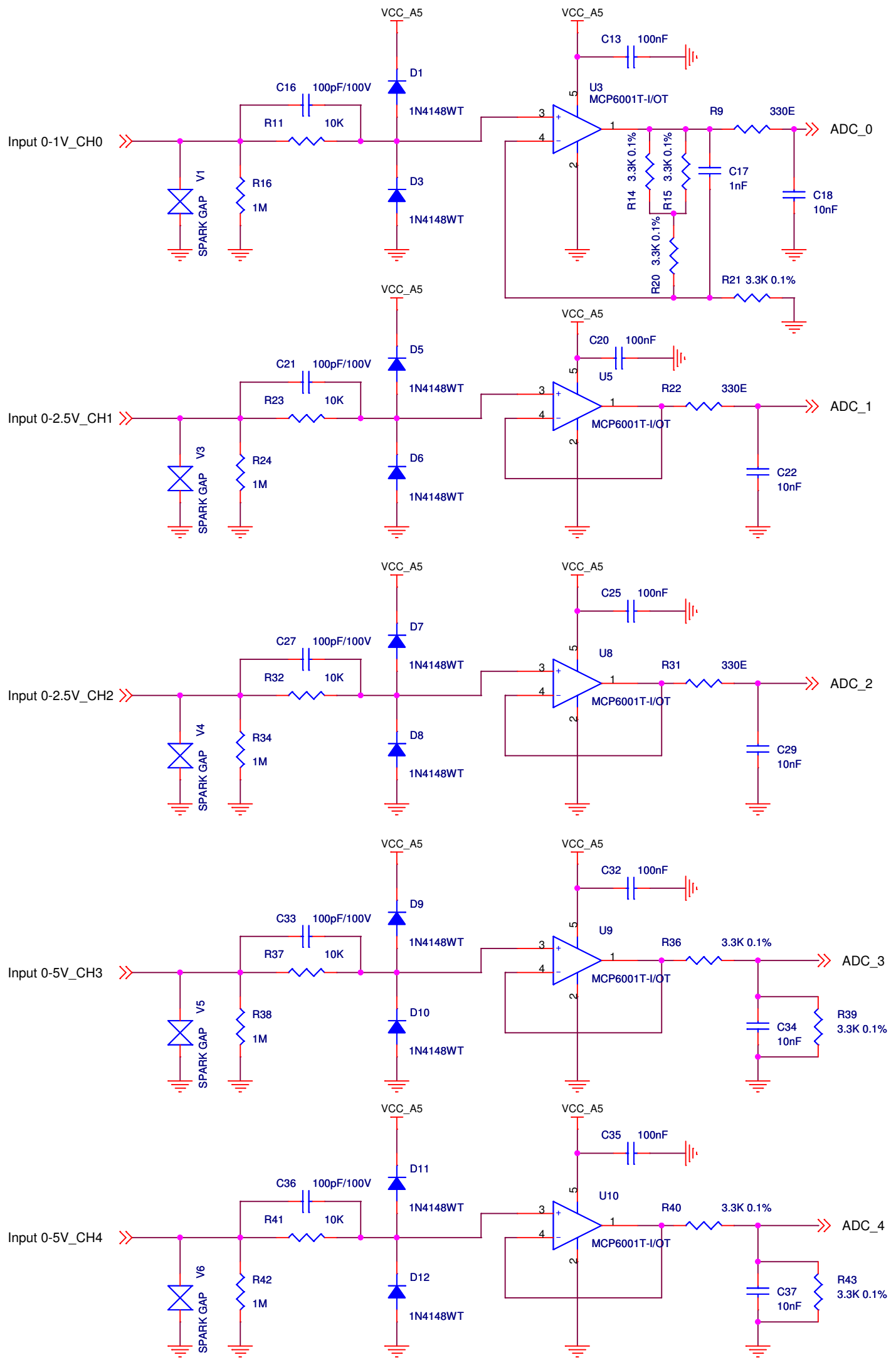
DRAWN BY Thang Le	DATED : 20101129	COMPANY : TEKBOX			
CHECKED BY Mayerhofer	DATED : 20101129	TITLE : BLOCK DIAGRAM			
QUALITY CONTROL :	DATED :	CODE <Cage Code>	Size A3	DWG NO	Rev 2.1
RELEASED :	DATED :	Scale : NONE	Sunday, February 06, 2011	Sheet 2 of 6	



SDI-12 INTERFACE



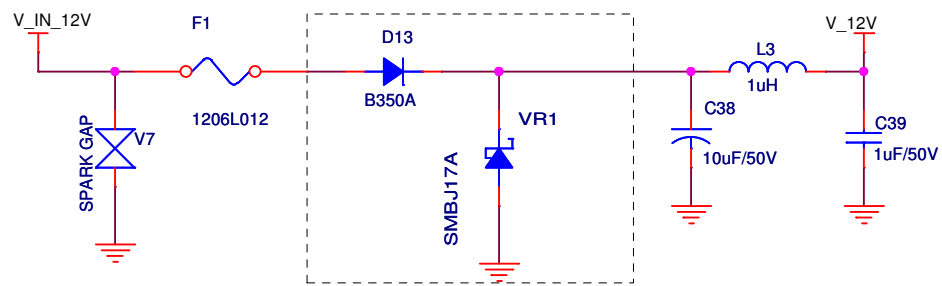
DRAWN BY Thang Le	DATED : 20101129	COMPANY : TEKBOX			
CHECKED BY Mayerhofer	DATED : 20101129	TITLE : TBS02 EVB SCHEMATIC			
QUALITY CONTROL :	DATED :	CODE <Cage Code>	Size A3	DWG NO	Rev 2.1
RELEASED :	DATED :	Scale : NONE	Sunday, February 06, 2011	Sheet 3 of 6	



DRAWN BY Thang Le	DATED : 20101129	COMPANY : TEKBOX			
CHECKED BY Mayerhofer	DATED : 20101129	TITLE : TBS02A EVB ANALOG INPUT SECTION			
QUALITY CONTROL :	DATED :	CODE <Cage Code>	Size A3	DWG NO	Rev
RELEASED :	DATED :	Scale : NONE	Sunday, February 06, 2011	Sheet 4 of 6	2.1

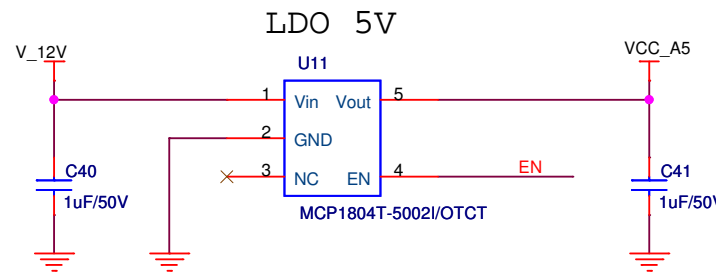
POWER SECTION

SDI-12 Power

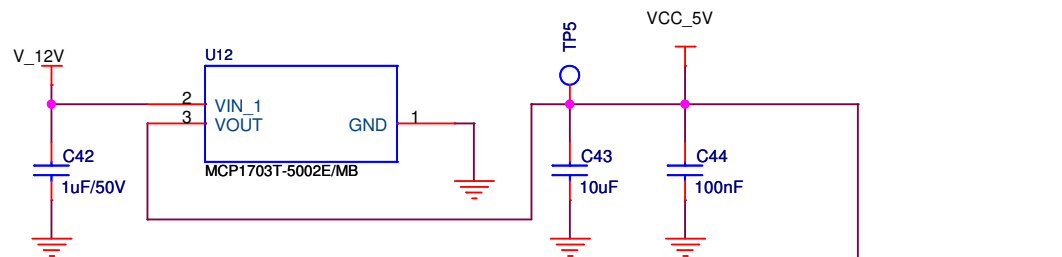


Reverse voltage & overvoltage protection

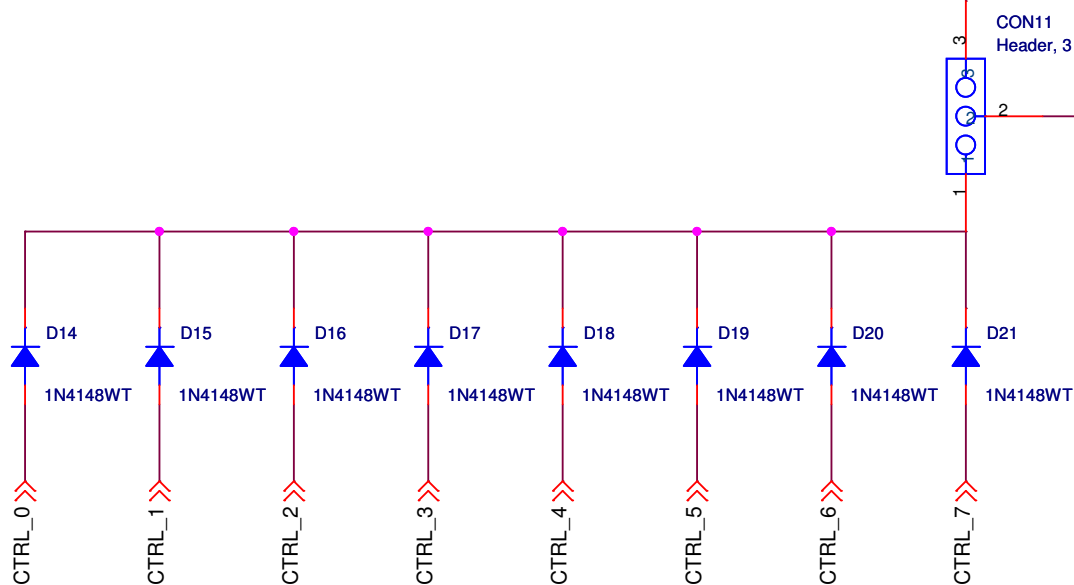
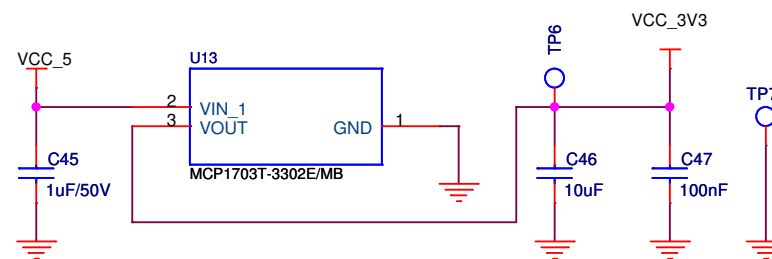
analog section supply voltage



LDO 5V



LDO 3.3V



DRAWN BY Thang Le	DATED : 20101129	COMPANY : TEKBOX			
CHECKED BY Mayerhofer	DATED : 20101129	TITLE : POWER SECTION			
QUALITY CONTROL :	DATED :	CODE <Cage Code>	Size A3	DWG NO	Rev 2.1
RELEASED :	DATED :	Scale : NONE	Sunday, February 06, 2011	Sheet 5 of 6	Rev 2.1